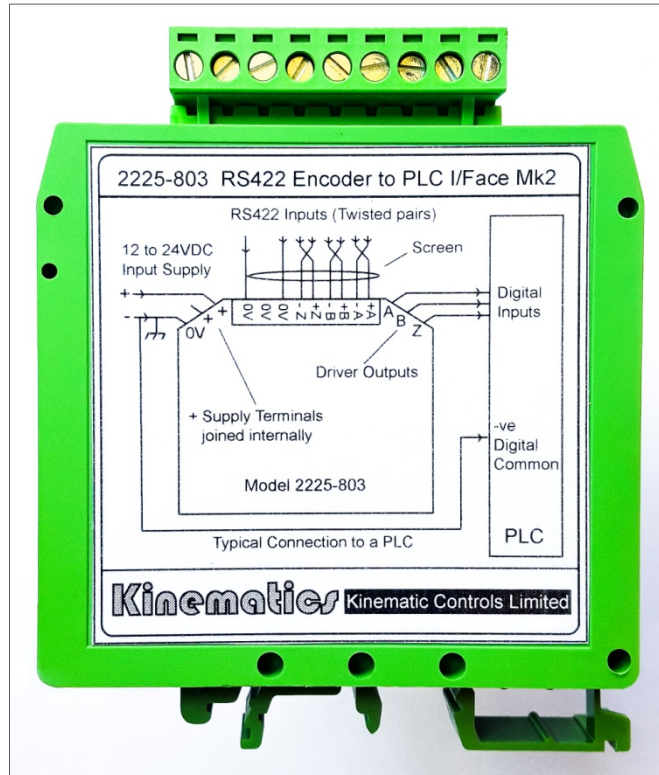


## **2225-803 RS422 Encoder to PLC Interface Mk2**

The 2225-803 Interface is designed to accept A,B,Z RS422 level signals from an encoder and convert them into either 24V PNP push-pull or NPN open collector sink outputs for driving PLC/Servo Drive inputs.



## **Specifications**

### **Power Supply:**

Input supply voltage range:  
10 to 28VDC

Max Supply current: (with all outputs loaded to 20mA)  
100mA at 12V DC supply  
85mA at 24V DC supply

Max Input Power: (with all outputs loaded to 20mA)  
1.2watts at 12V DC supply  
2.04watts at 24V DC supply

### **RS422 inputs:**

Standard RS422 levels fitted with 270ohm input termination and transient suppressors

**Maximum input frequency:** 200KHz

### **A,B,Z Outputs:**

Source and sink maximum current 20mA


On state saturation voltage 0.8VDC max above 0V supply rail

## Jumper Link Setting

**2225-803 RS422 Encoder to PLC I/Face Mk2**

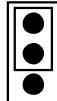
Link Settings for A, B, Z  
Output modes:

A



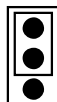
OC  
STD

B



OC  
STD

Z

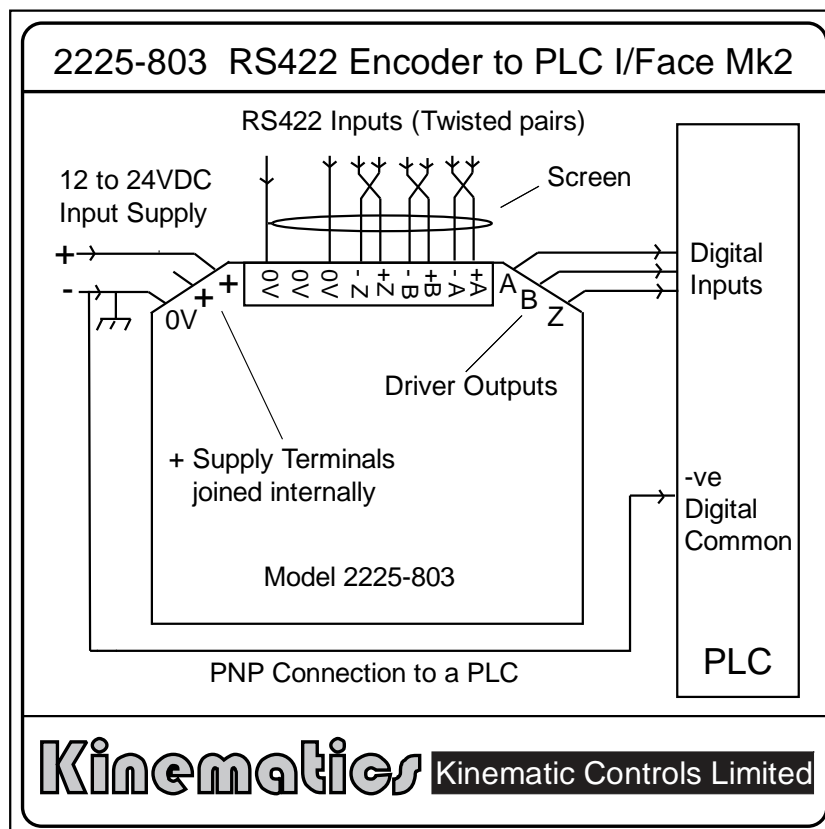


OC  
STD

OC = NPN Open Collector  
STD = PNP Push-Pull

**Kinematics** Kinematic Controls Limited

## Typical PNP (STD – Push-Pull) connection



## Typical NPN (default OC - open collector) connection

With this connection the model 2225-803 is backwards compatible with earlier models 2225-801 and 2225-802

